

LED Frame Panel

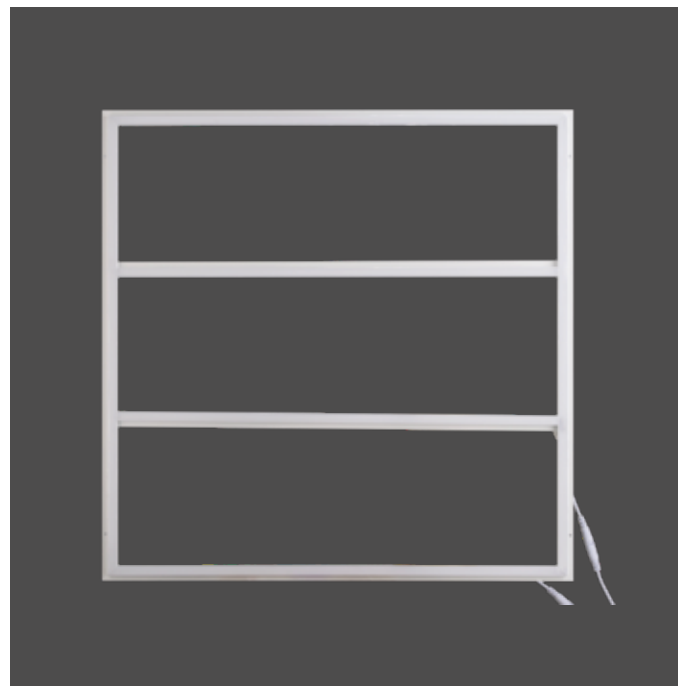
Checks Borderline Panel



SKU Code: T300

Features:

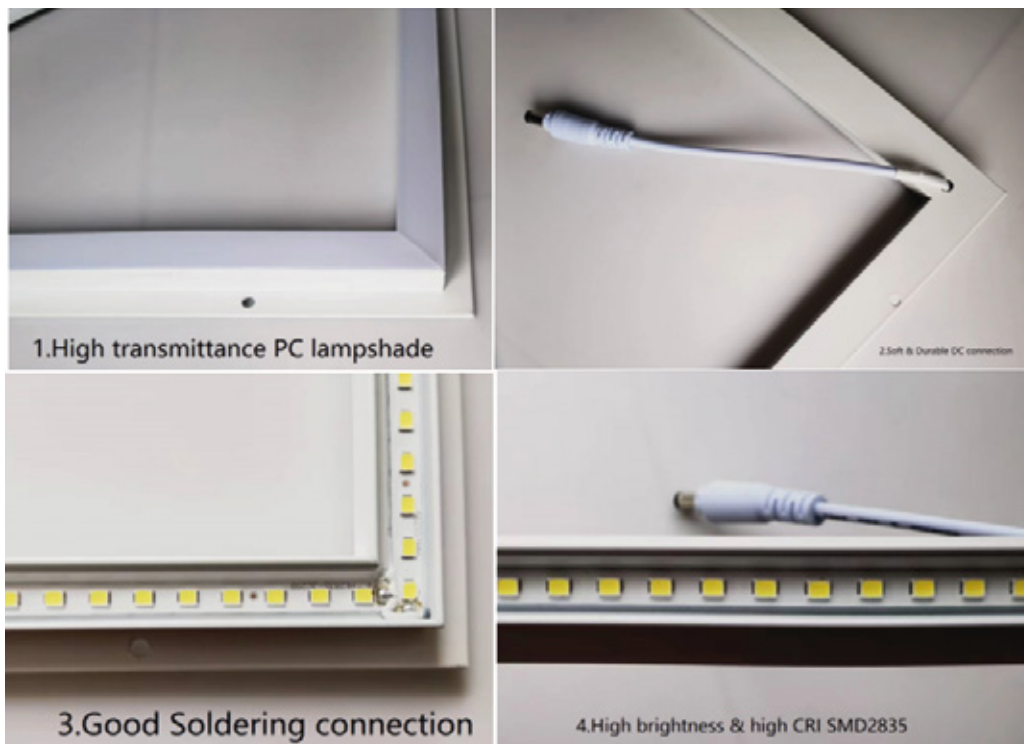
- ▶ Cost-effectiveness, High brightness, Energy saving, Recessed Ceiling Lights
- ▶ Unique and Innovative Design of Checks, provides a very welcoming experience for your customers
- ▶ These fittings replace the standard LED 60 x 60 panel light, easily sitting around the edge of the tile by simply placing the checks grid tile back on top. Gives a very unique effect, visually appealing and modern.
- ▶ Use in offices, retail shops, and hospitality sectors to illuminate the area with the existing ceiling grid 60 x 60.
- ▶ Lightweight for easy installation & storage
- ▶ Emergency Battery Pack and Hanging Kits available as an add-on



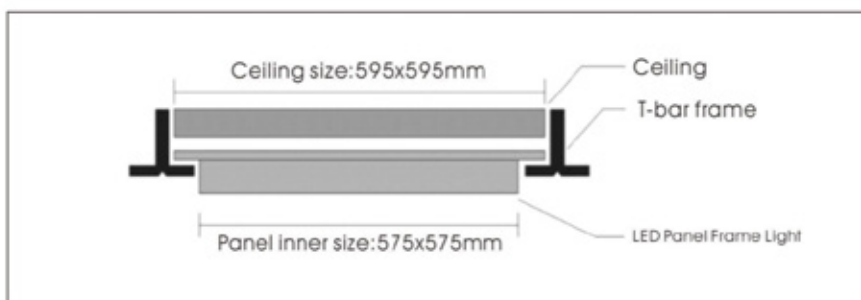
Technical Specifications:

Watt	40W
LED Colour	6000K only
LED Driver	EU Standard
Input Voltage	AC220-240V
Power Factor	PF>0.9
Number of beads	456PCS
LED Type	SMD2835
CRI	Ra>80
Lumen	100±5%lm/w
Warranty	3years
Application	office, factory, supermarket, hotel, school, hospital, restaurant, etc.

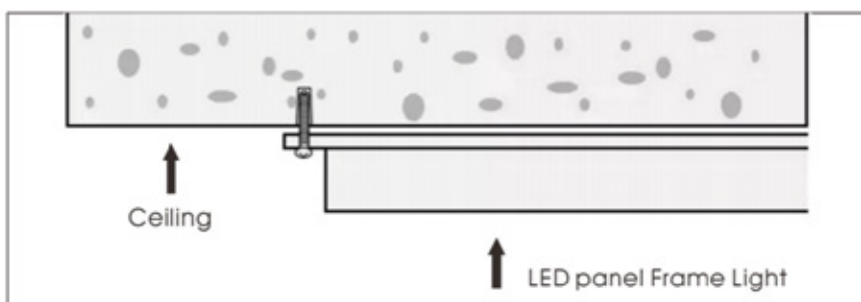




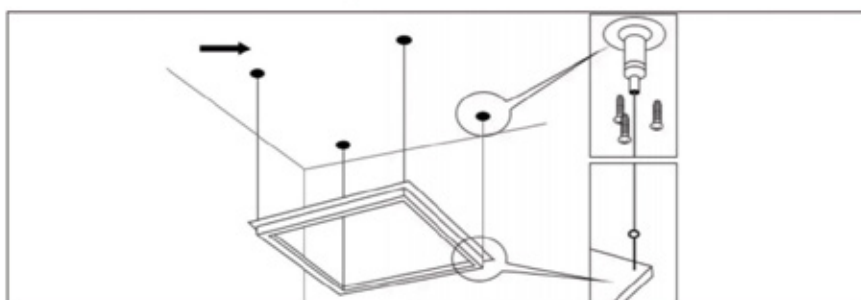
Recessed Installation



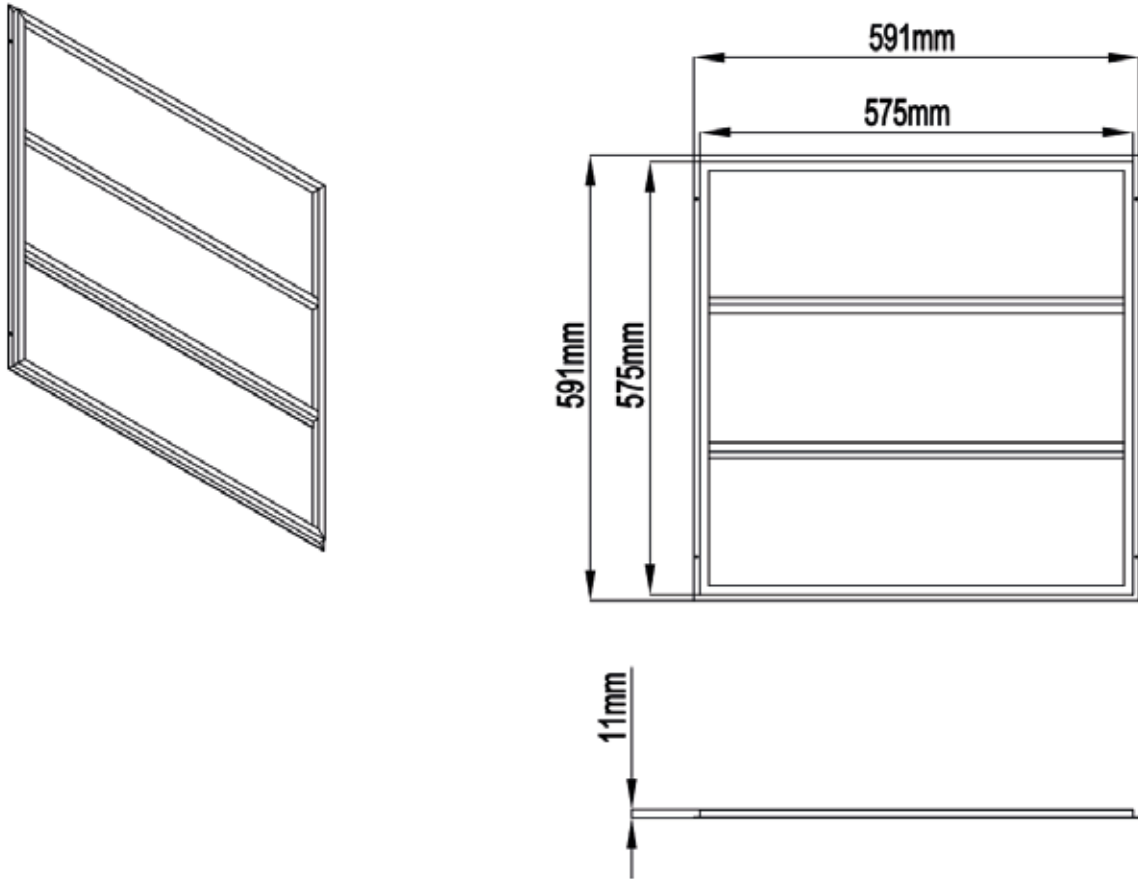
Surface Mounted Installation



Suspension Installation



Diagram





Warning

- This product should be installed or maintained by trained electricians.
- Check integrity of the products when unpack the package and make sure there are no any damages, otherwise please call distributors for replacement.
- The distance between the light fixture and any flammable materials must be more than 20cm. The distance between the upper part of the installed light fixture and the ceiling must not be less than 2cm. The light fixture must not be installed into ceilings or walls that contain heat-insulating material.
- Please make sure to cut off power supply before installation, replacement or removal.
- Please read manual carefully and wire correctly.
- Do not remove the stickers on drivers or light fixtures
- Never leave children unattended in the vicinity of the light fixtures and do not allow them to play with electrical devices
- Never allow the fixture to come into contact with open flames or external heat sources, or UV rays.
- The products need special treatment of recycling after service time.

Thank you for choosing ENER-J!

Customer satisfaction is our TOP priority, please let us know how you felt about your experience. Happy? We are so happy that you are pleased with our product. Feel free to express your newfound joy! Share your experience by writing a review.

Not Happy? If you are not fully satisfied with the item you received, have any problems like damages, or questions, please contact us. We typically respond within 24-48 hours.

Stuck? Confused?

Contact our Technical Support team on:

T: +44 (0)1291 446 105 E: support@ener-j.co.uk

Lines are open Mon - Fri (8am to 4pm)